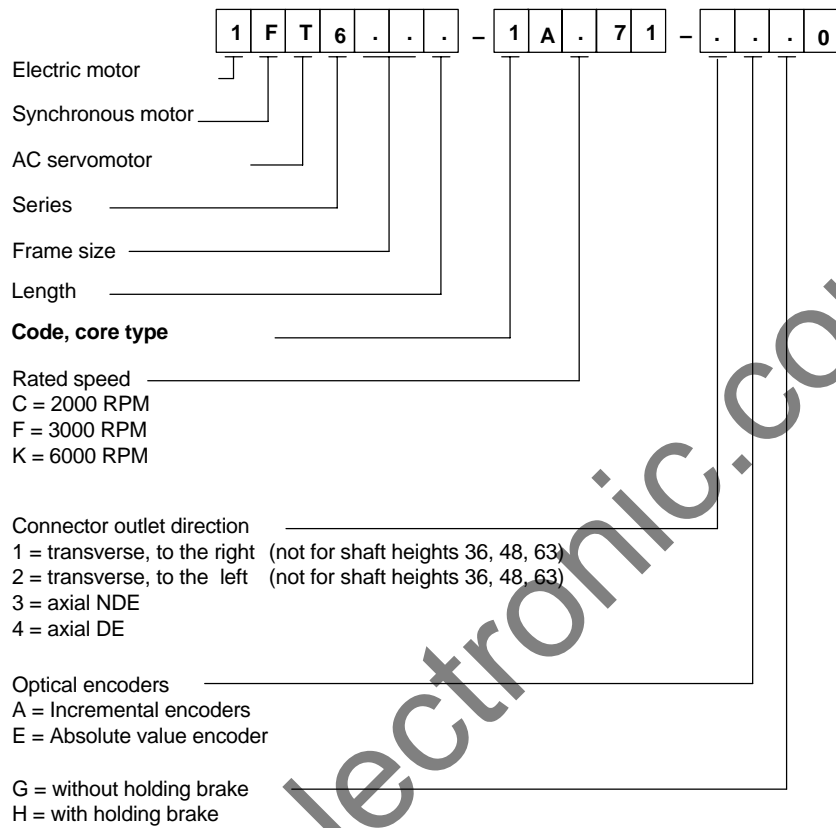


2 Order Designations

Order designations, core types



www.motion-electronic.com

Table 3-4 Standard motor 1FT6034

1FT6034				
Technical data	Code	Units	-□AK7	
Engineering data				
Rated speed	n_{rated}	RPM	6000	
Rated torque	M_{rated} (100 K)	Nm	1.4	
Rated current	I_{rated} (100 K)	A	2.1	
Stall torque	M_0 (60 K)	Nm	1.65	
Stall torque	M_0 (100 K)	Nm	2.00	
Stall current	I_0 (60 K)	A	2.15	
Stall current	I_0 (100 K)	A	2.60	
Moment of inertia (with brake)	J_{mot}	10^{-4} kgm ²	1.22	
Moment of inertia (without brake)	J_{mot}	10^{-4} kgm ²	1.1	
Limit data				
Max. speed	n_{max}	RPM	9300	
Max. torque	M_{max}	Nm	7.8	
Peak current	I_{max}	A	10.5	
Limiting torque (600 V)	M_{limit}	Nm	7.7	
Limiting current (600 V)	I_{limit}	A	10.5	
Physical constants				
Torque constant	k_T	Nm/A	0.77	
Voltage constant (phase-to-phase)	k_E	V/1000 RPM	50	
Winding resistance	$R_{ph.}$	Ohm	2.59	
Three-phase inductance	L_D	mH	10	
Electrical time constant	T_{el}	ms	3.9	
Mechanical time constant	T_{mech}	ms	1.4	
Thermal time constant	T_{th}	min	30	
Thermal resistance	R_{th}	W/K	0.20	
Weight with brake	m	kg	4.8	
Weight without brake	m	kg	4.4	

1FT6

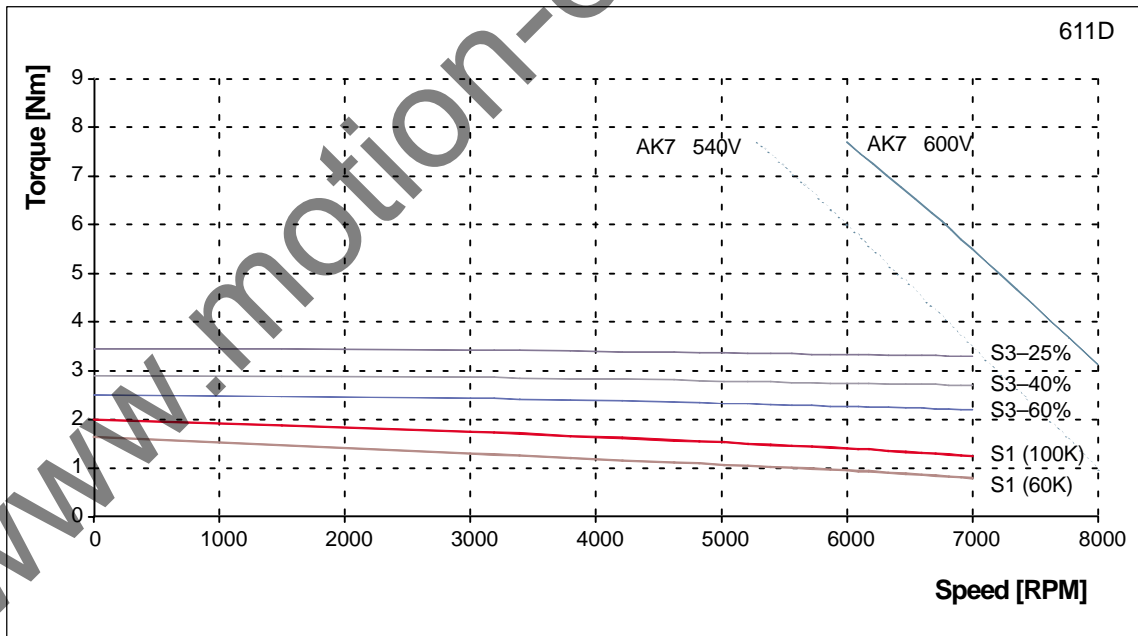


Fig. 3-4 Speed–torque diagram 1FT6034

